

Carter®

Emergency Breakaway Coupling — 7-inch

Model 64191



EATON

Powering Business Worldwide

Design Concepts

Eaton's Carter Emergency Breakaway Fuel Coupling was developed in conjunction with the Canadian Navy during their search to eliminate fuel spillage at sea. This coupling meets or exceeds all the requirements of the new NATO replenishment at sea coupling specification and is the proposed replacement for the existing NATO "A/B" breakable spool. The Eaton emergency breakaway fuel coupling is designed to be used with abeam, astern "lay on deck" and with Hudson Reel standard 6- or 7-inch hose. When a pulling force of approximately 1100 lbs (5 kN) is applied, the probe will automatically disconnect and dry break on both sides with less than 100cc of fuel spillage. However, the probe, which weighs less than 78 lbs (35.38 kg), is easily connected or disconnected by one person without the need for special tools.

Features

- Replacement for a/b breakaway spool
- Provides dry breakaway under load
- Breakaway force of 1137 lb (5.1 kN)
- Can be reconnected without tools or re-setting procedure
- Dry break feature. Both halves seal automatically with maximum fuel spillage <100cc.

- Easily disconnected (manually) with internal vacuum present
- Constructed of anodized aluminum and stainless steel and is compatible with jet fuel, av gas and diesel fuels and marine environment
- Seals compatible with all NATO fuels
- Use with 6- or 7-inch hose
- Pressure drop — 8.2 psid at 2,500 US gpm (0.56 bar at 567.8 cum/hr)
- Weight, fueling probe (with environment cap) — 78 lbs (35.3 kg) max
- Temperature range: Passed test to -4°F (-20°C). Designed temperature range -40°F to +165°F (-40°C to +75°C)
- Maximum working flow — tested to 2,500 US gpm (567.8 cum/hr)
- Maximum working pressure — 150 psig
- Test pressure — 300 psig
- Maximum velocity — 20.8 ft/sec (6.3 m/sec)
- Astern cone available (see photo, right)

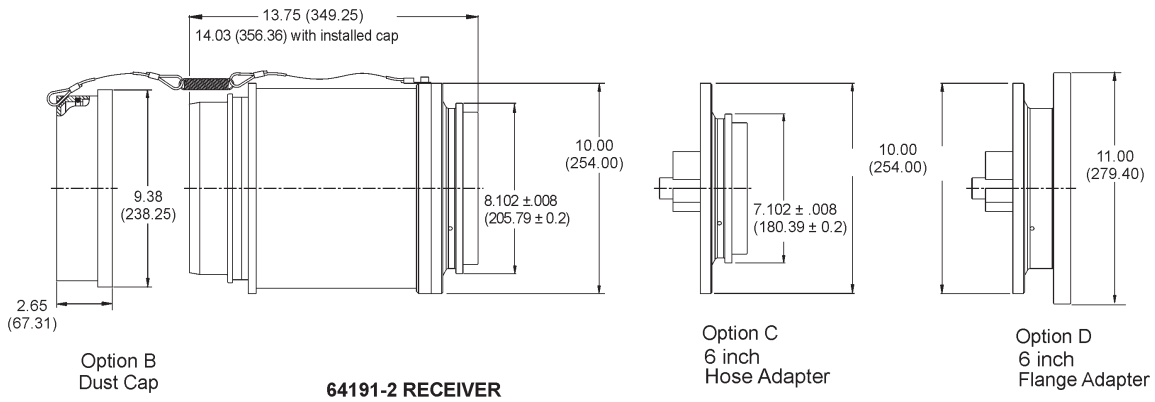
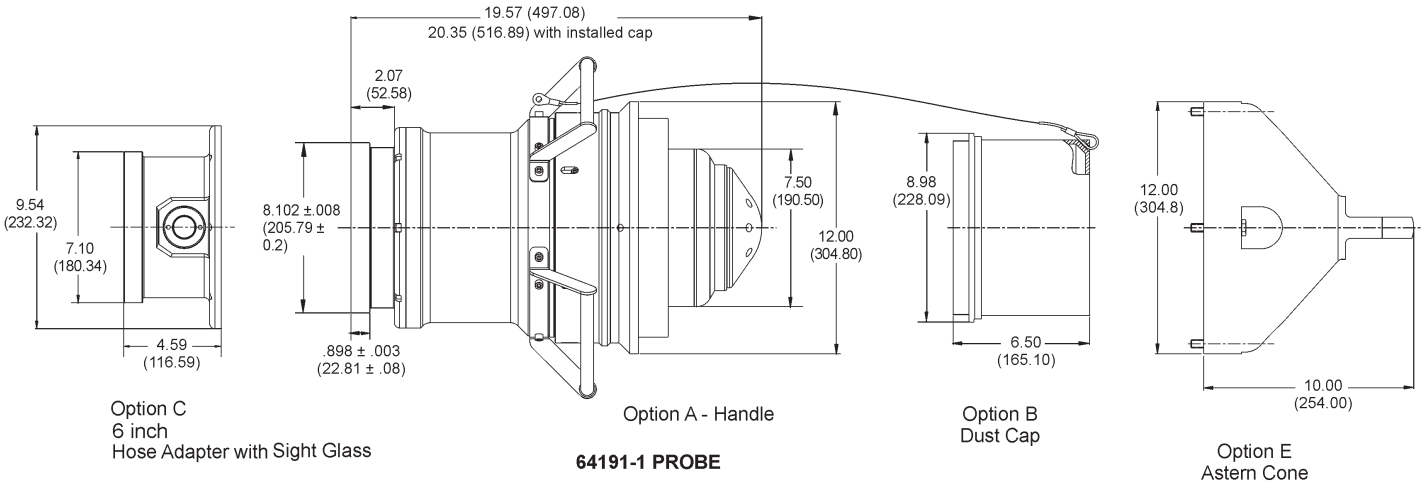


Model 64191-1 Probe

Shown with astern cone (Option E)

Envelope Dimensions

Dimensions shown in inches
(millimeters)



Eaton
Aerospace Group
Fluid & Electrical Distribution Division
9650 Jeronimo Road
Irvine, California 92618
Phone: (949) 452 9500
Fax: (949) 452 9992
E-mail: groundfueling@eaton.com

Eaton
Aerospace Group
9650 Jeronimo Road
Irvine, California 92618
Phone: (949) 452 9500
Fax: (949) 452 9555
www.eaton.com/aerospace

Copyright © 2013 Eaton
All Rights Reserved
Form No. TF100-99C
May 2013